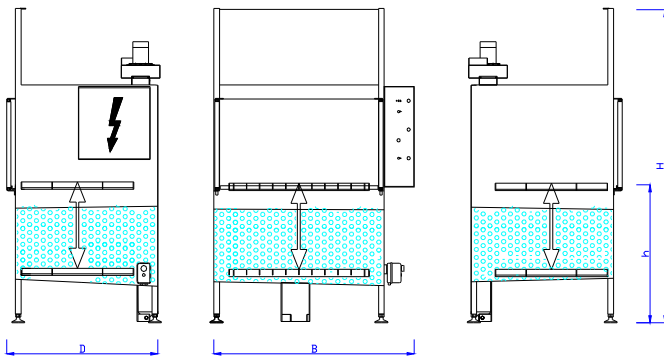




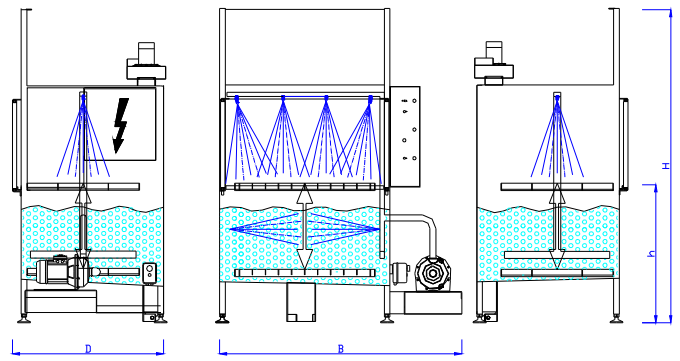
**Combined dip wash and
spray wash machine**

Washbear Milaqua

Washbear with dip wash function



Washbear with both dip and spray function



Standard equipment:

- The machine series is available in three versions, economy model (E-model), dip wash or combined dipping / washing machine. S machine.
- Stainless insulated machine (AISI 304) with external cover plates in stainless steel IIB.
- Electric cartridge with thermostat and weekly timer for washing liquid.
- Fixed washing table in the machine.
- Pneumatic dip function.
- Start / stop manoeuvre with timer.
- Pneumatic driven insulated stainless steel hatch, maneuvered by two-way control.
- Speed control of dip function.
- Integrated stainless steel steam proof fan with automatic start / stop after open / closed door.
- Drain tap on the tank.
- Material adapted for aqueous alkaline washing. Rubber material mainly EPDM / Viton and plastic in polyethylene (PE).
- Adjustable machine feet.
- E model is a simpler machine without weekly timer, insulation and fan.
- Electric cabinet 3x400V, insulation class IP 54.
- Stainless steel pump mounted on stainless steel pump shelf. (Only applies to machine with spray function)
- Stainless flushing system with flow jet rinse under the surface as well as flushing over the surface, see picture. (Only applies to machine with bobbin function).



Brush gun



Bag filter

Optional equipment:

- Brush gun with pump and on/off via foot pedal.
- Blowing function with compressed air.
- Particle filtering of washing liquid via bag filter in one or several steps.
- Oil separator for fluting oil.
- Manual filler tap of water.
- Automatic water filling and level control.
- Automatic stop at low liquid level.
- Increased capacity of load weight.
- Extendable wash table to load platform or integrated roller conveyor.
- Glass door.
- Lighting in the cabin.



Lightening



Oil separator



Extractable table



Technical data Washbear Milaqua:

	1165E	1364/1364S	1864/1864S	2664/2664S
External dimensions. (BxDxH/h)				
Machine with only dip function	1300x650x2300/900	1400x1100x2250/970	1900x1550x2750/1050	2800x1300x2600/1050
Max weight in kg at 6bar	125	250 (500)	450 (1000)	450 (1000)
Max weight in kg at 8bar	200	350 (-"-)	600 (-"-)	600 (-"-)
Max washing dimensions	850x400x450	990x740x500 (400*)	1350x1100x600 (500*)	2300x900x600 (500*)
Compressed air in bar	6-10	6-10	6-10	6-10
Consumption of compressed air in litres/min	200	200 (400)*	400 (800)*	400 (800)*
Tank volume in litres	200	300-500	900-1200	1500-2000
Heating power	9kW	9kW	2x9kW	2x12kW

S model with spray function:

External dimensions. (BxDxH/h)	-	1600x1100x2250/970	2100x1550x2750/1050	3000x1300x2600/1050
Pump flow / pressure / power	-	250 l/min 2,2bar 1,85kW	250 l/min 2,2bar	500 l/min 2,4bar 3,0kW

The values in brackets apply at increased weight capacity.

* Washing goods maximum height at extractable table.

MILAMA

Traktorvägen 12
SE-226 60 Lund
SWEDEN

Phone: +46 46149740
info@milama.se
www.milama.se